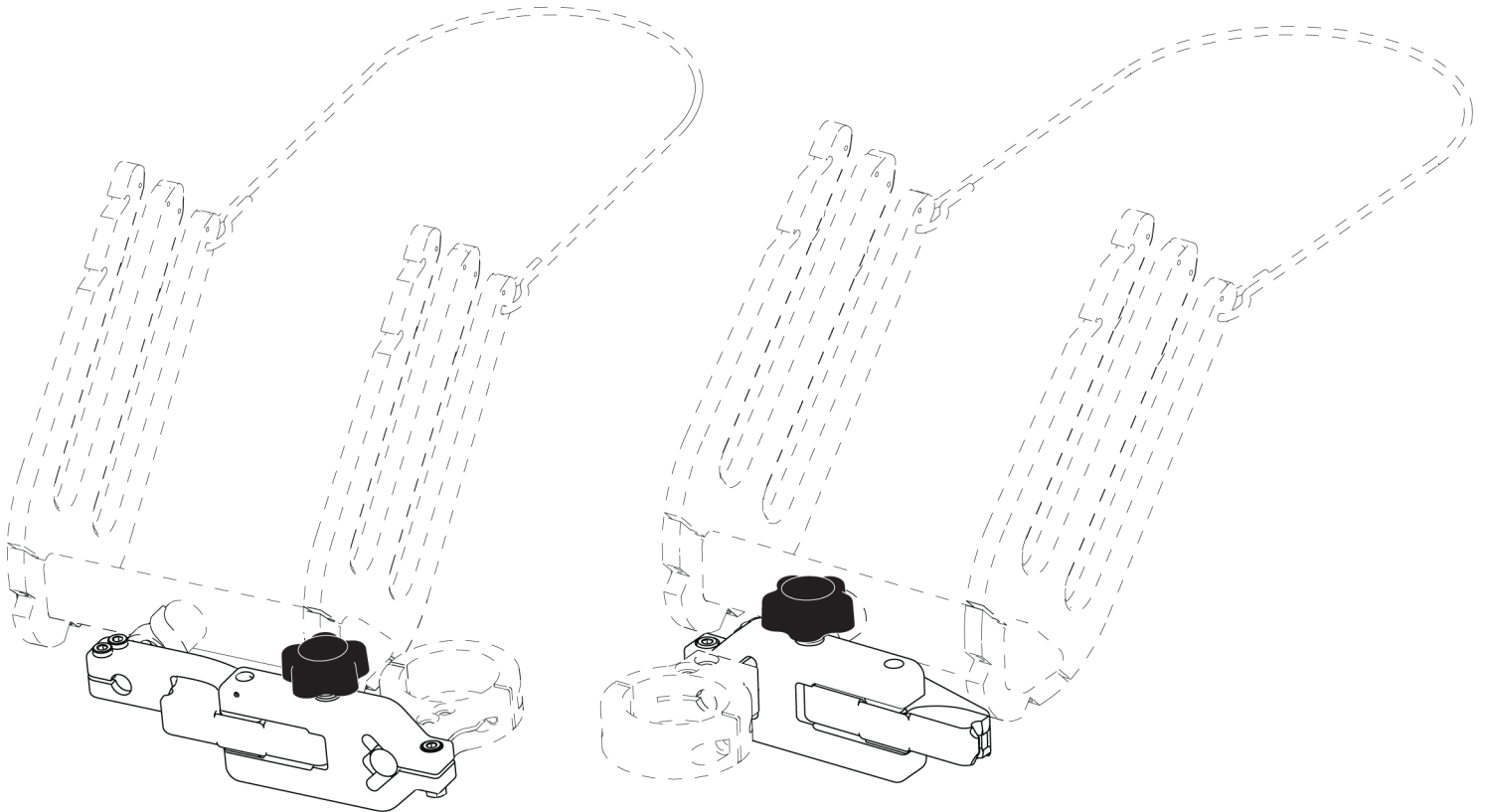


# Universal Swivel Rack



## IMPORTANT NOTES ON INSTALLING AND USING YOUR NEW MONSTER RACK

- This product is only intended to be mounted to a 2.5" pipe tower
- Keep the mounting post lubricated
- When adjusting the width between forks, loosen the bolts to prevent scratching the cross tube & do not move in more than one inch
- Do not trailer your boat with wakeboards in the racks
- Wakeboard ropes can catch on wakeboard racks and wakeboards during sharp turns causing damage to boards and racks. Be careful to prevent the rope from catching on the wakeboard rack and warn all drivers of this possibility
- Do not stand on the wakeboard rack as it can bend the tube or forks and abuse is not covered under warranty
- Be sure the adjuster knob and cam lever provide a tight fit between the mounting post or receiver tube. Failure to tighten this can result in a lost fork assembly, and is not covered by warranty. Test this by pulling on the rack each time before use

# Tools Needed



1/2" Wrench



1/16" Allen Wrench (Included)

## Parts List



x2



x1



x1  
x2  
x3



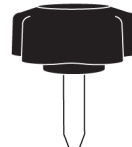
x1



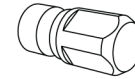
x1



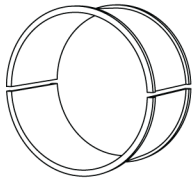
x2



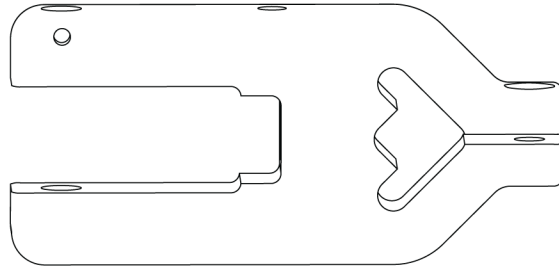
x1 Knob



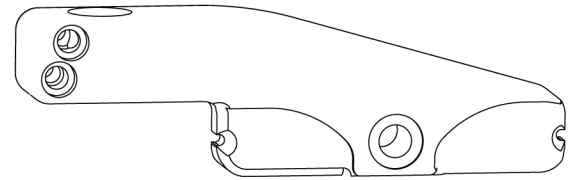
x1 Collar Pin



x1



x1



x1 Swivel Arm

## INSTALLATION NOTES AND CARE INSTRUCTIONS

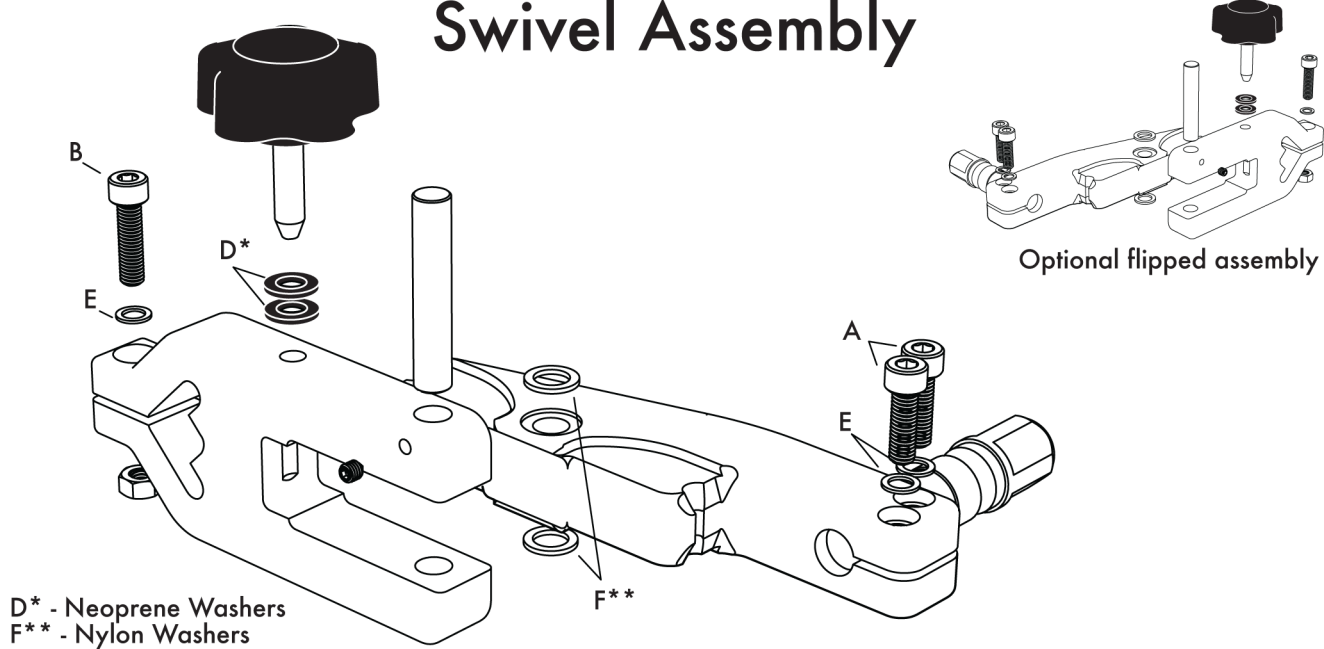
- All bolts should be tightened to 22 ft/lbs and periodically checked
- Knob on swivel assembly should be tightened completely (neoprene washers may be removed as needed to achieve a tighter fit)
- After years of use and wear, the swivel assembly can be disassembled and swivel arm flipped over for like-new locking
- To ensure easy operation and extend the life of the product, periodically lubricate (general purpose or clear silicone grease) the quick release and mounting posts
- You can maintain the new appearance of your board racks by wiping with a clean damp cloth after each use. Soapy water, car wax or a commercially available marine water spot remover can be used as needed

### Monster Tower, Inc Warranty

Monster Tower warrants this product against manufacturer's defects for a period of five (5) years. Anodized surfaces are specifically excluded, as their care and use cannot be controlled by the manufacturer. Any modifications or improper use, not approved in writing by Monster Tower, shall void this warranty. Monster Tower is not responsible for personal injury or damage to the boat caused by the use of this product. Monster Tower's obligation under this warranty shall not include any transportation charges or costs of installation or any liability for direct, indirect or consequential damages resulting from delay or improper installation. If you need to make a warranty claim contact Monster Tower at 877-77-TOWER or email [Support@MonsterTower.com](mailto:Support@MonsterTower.com) before returning any items. Defects must be reported within 30 days of discovery.

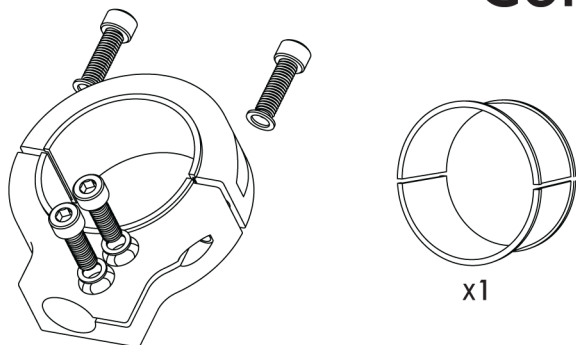
Comes assembled for starboard, flip swivel arm for port configuration

# Swivel Assembly

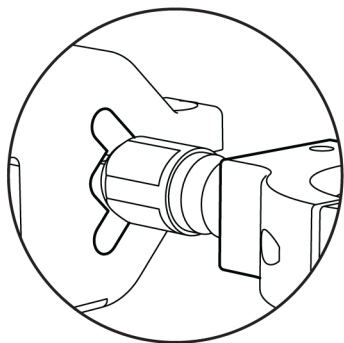


D\* - Neoprene Washers  
F\*\* - Nylon Washers

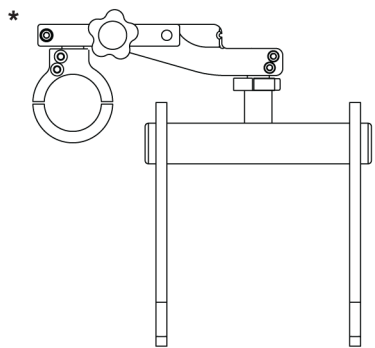
# Collar Assembly



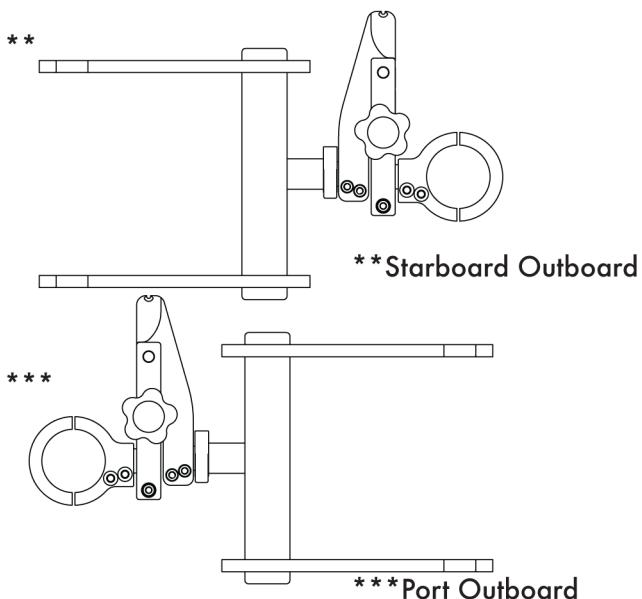
- Disassemble current collar to remove current plastic shim and replace with new metal shim.



- Attach swivel assembly to collar assembly via collar pin
- Attach rack to assembly via mounting post and collar pin



\* Swiveled Inboard



\*\* Starboard Outboard

\*\*\* Port Outboard