



Monster Tower
WAKEBOARD TOWERS & ACCESSORIES

Monster Beam Tower Lights Installation Instructions and Owners Manual

Monster Tower, Inc.
5714 US Hwy 411 S
Maryville, TN 37801

Phone: 877-77-Tower
Fax: 877-232-6538
www.MonsterTower.com
Support@MonsterTower.com

THANK YOU FOR YOUR BUSINESS. IF YOU ARE NOT COMPLETELY SATISFIED IN ANY WAY WITH YOUR NEW LIGHTS, PLEASE CONTACT US. Our entire purpose as a company is to offer great products at affordable prices that our customers love.

Please take a few minutes to read the installation instructions and become familiar with the wiring and installation before beginning to ensure a high quality, trouble free installation and use. If you have any questions during your installation give us a call at 877-77-Tower or e-mail Support@MonsterTower.com

NOTES ON INSTALLING AND USING YOUR NEW TOWER LIGHTS

- **TOOLS:** A 4 mm Allen wrench is required for installation.
- Tower lights will reach a high temperature when operating. Do not touch or wash the lights for 10 minutes after use.
- Only use H3 Halogen light bulb and fuse for replacement. Anything exceeding 55W/15Amp could result in serious damage.
- Use only 16 Ga or larger wire for additional wiring and read the light instructions included.
- Use of a relay and switch is highly recommended.
- Towers lights are not intended for wakeboarding at night, which is illegal in every state.
- There are nearly infinite methods of wiring lights. Please contact a marine wiring specialist if you need assistance. We have provided the most complete information we have found within this document.
- It is highly recommended that you use a relay and a fuse with each set of lights.

Monster Beam Tower Lights Parts List

Item	Qty	Description
1	2	Tower Collar Bracket
2	4	Delrin Collar Inserts
3	2	Tower Lights
4	2	M8x25 Socket Head Cap Screws



Attaching the lights to the tower

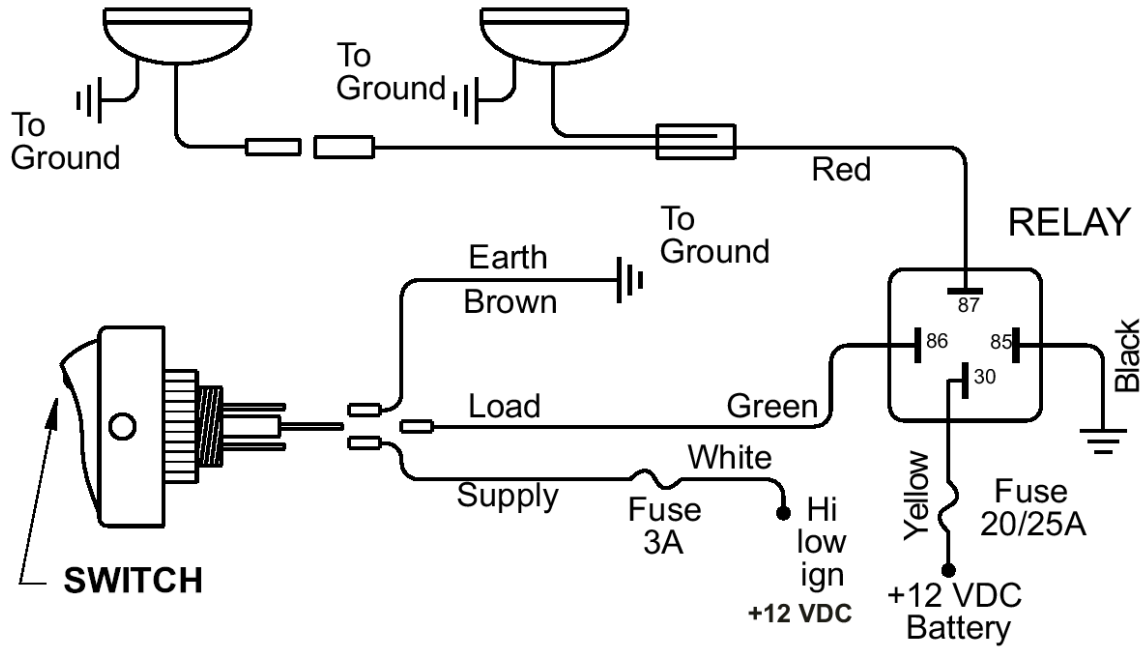
Attach the Collar Bracket (Item 1) to the tower using M8x25 bolts (Item 4) and the Collar Inserts (Item 2) that matches your size tower (2-1/2" are provided for Monster Towers and a universal kit with 1-1/2", 1-5/8", 1-3/4", 1-7/8", 2" and 2-1/4" are provided for other towers).



Wiring Instructions

We recommend using a relay with your switch in addition to the providing wiring, especially with multiple pairs of lights. These are readily available at auto parts stores and radio shack, as well as online at www.PartsExpress.com and www.WaytekWire.com. Parts Express also has an excellent technical support department

The relay will have terminal 87 providing power instead of the battery in the above diagram. Terminal 30 will then be run to the boat battery with a 25 amp inline fuse as shown below.

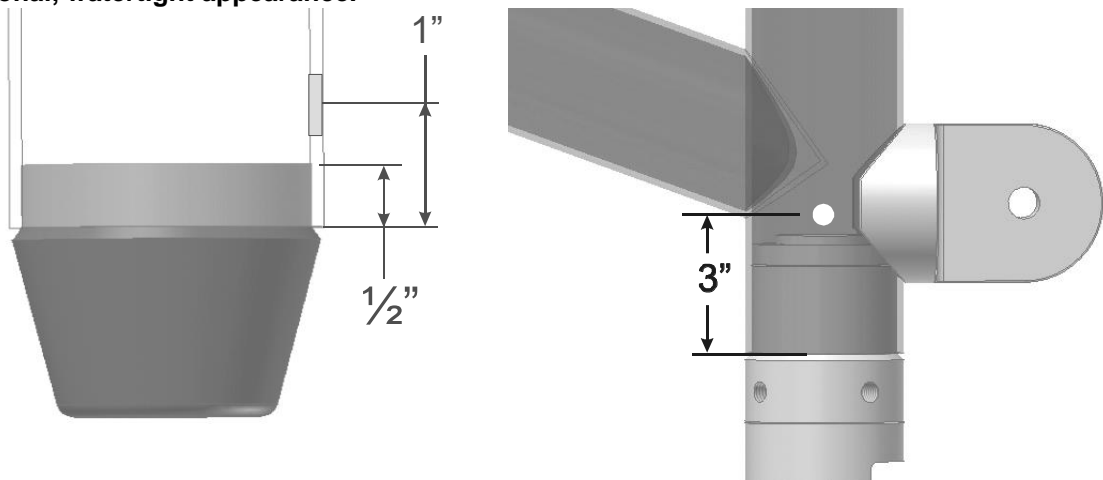


Running Wires Through The Tower

The following is specific to running wires on a Monster Tower, otherwise consult your tower installation manual or provider for instructions on running wire inside your tower.

When you add speakers or lights to your Monster Tower, you can hide the wires inside of the rear legs of the tower as well as in the straight cross member of the top section. Since the mating parts insert $\frac{1}{2}$ " inside each end of the rear leg you can drill 1 " away from the weld lines. For the top section cross member you will need to place the hole 3 " from the weld line to clear the rotating collar assembly. The hole size will depend on what size wire you are running and how many items you need to wire. The maximum hole size we recommend is $\frac{1}{2}$ " but normally smaller is all that is needed.

We recommend covering the exposed wiring with $\frac{3}{8}$ " or $\frac{1}{2}$ " wiring loom and electrical tape for a professional, watertight appearance.



For learning more about tower accessories, we highly encourage you to visit the “Boats and Accessories” discussion boards at www.Wakeboarder.com and www.WakeWorld.com and www.diyTower.com.

Monster Tower, Inc, Warranty

Monster Tower warrants this product (not including the lights and other 3rd party accessories) against manufacturers defects for a period of five (5) years. The Lights are covered by Pilot Automotive’s Warranty (www.PilotAutomotive.com or (800) 237-7560). Anodized surfaces are specifically excluded, as their care and use cannot be controlled by the manufacturer. Any modifications or improper use, not approved in writing by Monster Tower, shall void this warranty. Monster Tower is not responsible for personal injury or damage to the boat caused by the use of this product. Monster Tower’s obligation under this warranty shall not include any transportation charges or costs of installation or any liability for direct, indirect or consequential damages resulting from delay or improper installation. Your time would be better spent wakeboarding then reading warranty details. If you need to make a warranty claim contact Monster Tower at 877-77-Tower to receive a return authorization, number which is required for all claims. Defects must be reported within 30 days of discovery.