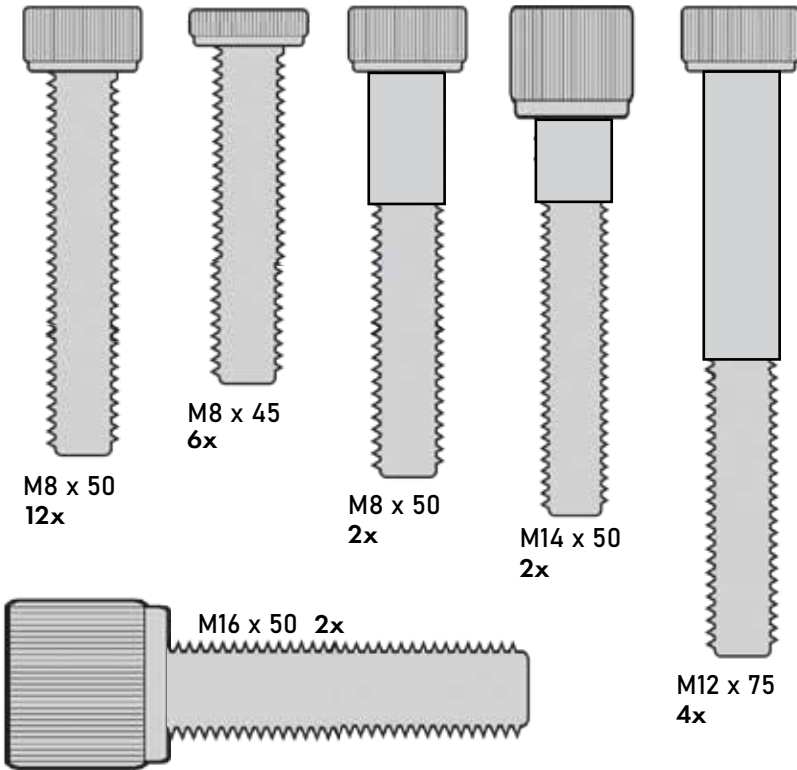


# MT7 Tower



## Included Hardware Identification

Actual Size



M8 x 50  
12x

M8 x 45  
6x

M8 x 50  
2x

M14 x 50  
2x

M12 x 75  
4x

M16 x 50 2x



M8  
4x



M12  
4x



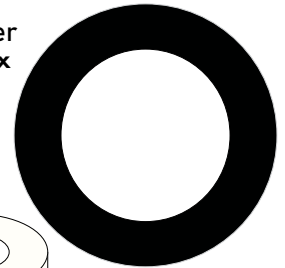
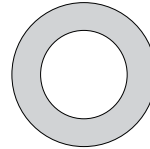
M14  
4x



M16  
4x

Spacer  
4x

Plastic Washer  
2x



Metal Spacer  
6x

## Parts List:

- (6) Heim Joint
- (6) Heim Joint Jam Nut
- (1) Navigation Light
- (1) Nylon Swivel
- (1) Ski Tow Base
- (4) Tower Base
- (4) Tower Base Swivel
- (4) Tower Base Backing Plate
- (4) Monster Paw (Rubber Pad)
- (1) Top Section (Header)
- (2) Header C-Clamp
- (2) Front Tower Leg
- (2) Side Support
- (2) Rear Support Leg
- (2) Rear Leg Bracket
- (2) Lower Leg Quick Release Knob
- (2) Upper Leg Quick Release Knob

## Gather Additional Tools and Materials

Reversible Drill

11/32" and 9/16" Drill Bits

Socket Wrenches (13mm, 22mm, 24mm)

Blue Painter's Tape

Tape Measure

Permanent Marker

Level

Allen Wrenches (6mm, 10mm, 12mm, 14mm)

45 Degree Chamfer Bit

Marine Grease for Bolts

\*Loctite 242 Blue

Razor Blade or Knife

Safety Glasses



**CAUTION:** If you are unfamiliar with your boat's construction, please seek professional advice before installing the tower. For added assistance when installing the tower, please call us at 877-778-6937.

As you plan to install the, Monster Tower MT7, keep in mind that drilling into the deck of the boat is needed in order to safely secure the tower to the boat.

\*Loctite® 242 Blue can be applied to any bolt during assembly to ensure a locking fit.



Do you have questions? Call us @ 877.778.6937 Monday - Friday, 8am-5pm EST

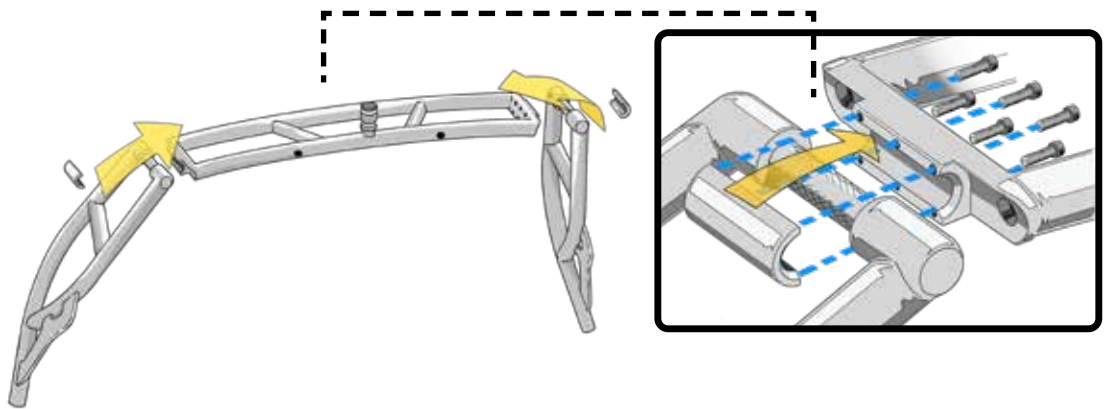
2

## Step 1: Assemble Legs to Top Section

### Hardware Needed:

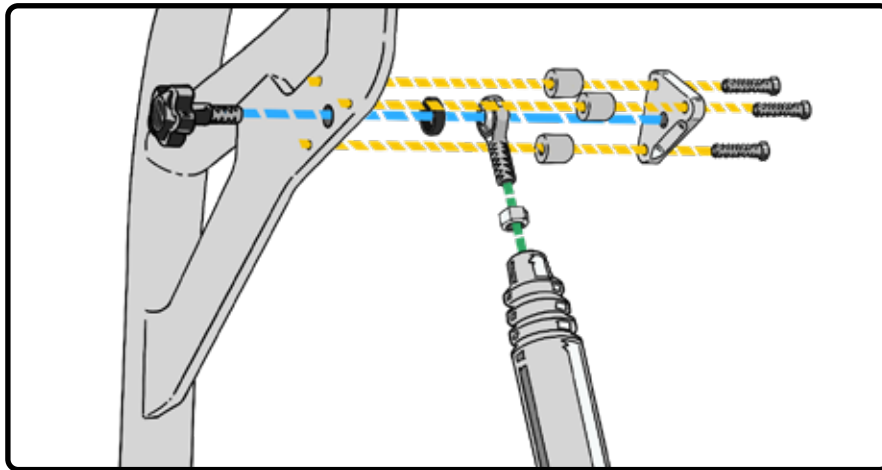
C-Clamps  
6 M8x50 Bolts

Attach legs to header with C-Clamps



Assemble rear support leg.

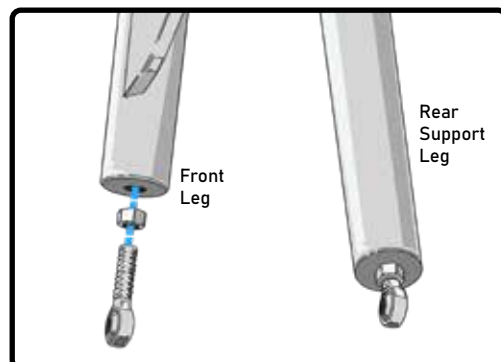
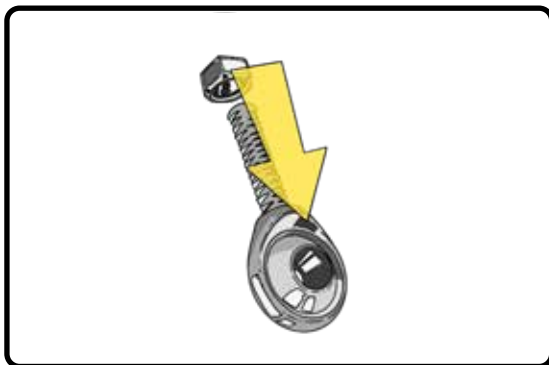
Quick Release Knob  
Plastic Washer  
Heim Joint  
Heim Joint Nut  
3 Metal Spacers  
Leg Bracket  
3 M8x45 Bolts



Repeat step on other side.

## Step 2: Install Heim Joints to Legs

1. Screw hex jam nut onto heim joint as far as possible, then back off the nut two complete turns.
2. Attach heim joints to the bottom of the legs and hand tighten.



Do you have questions? Call us @ 877.778.6937 Monday - Friday, 8am-5pm EST

3

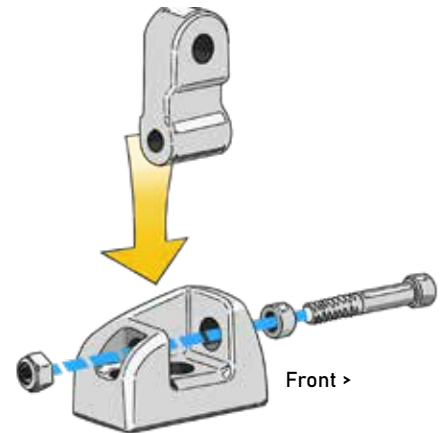
### Step 3: Assemble the Bases

#### Hardware Needed:

Base  
Swivel  
M12x75  
M12 Nut

1. Assemble hardware according to the diagram. When orienting the base, the smooth side of the base should face out and the taller end of the base should face forward.

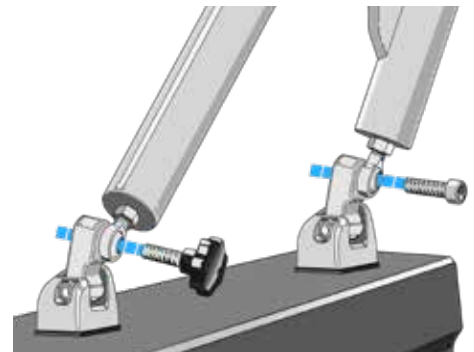
Repeat step for all 4 bases.



#### Hardware Needed:

2 M16x50 Bolts  
2 M16 Quick Release Knobs

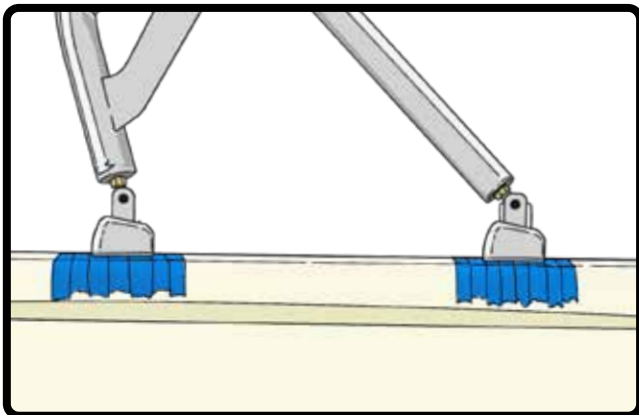
2. Use an M16x50 bolt on the front leg and an M16 quick release knob on the back leg to attach the heim joints to the bases.



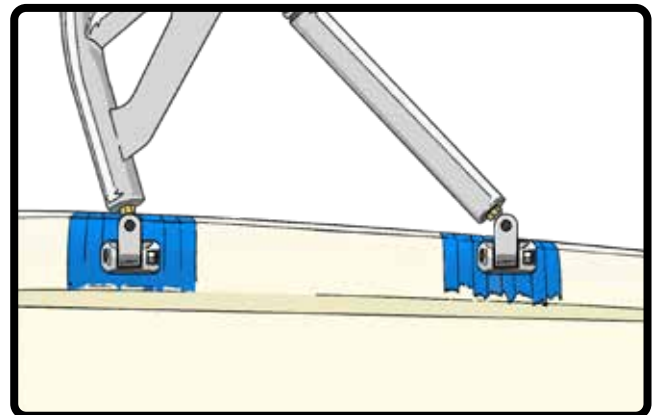
### Step 4: Determine Mounting Locations

1. Once you determine the general position, use masking tape to protect the gel coat where you will be drilling. Holding the bases in place, use a permanent marker to trace the position of the base onto the tape.

#### TOP MOUNT



#### SIDE MOUNT



Unlike other towers, the mounting locations for your MT7 do not have to be level - all that matters is that the header is level (see Step #5). Depending on your boat's construction, your base mounting locations may need to differ to get the header level.

**PRO TIP:** Depending on your boat's shape you could have one top-mounted and one side-mounted leg.



Do you have questions? Call us @ 877.778.6937 Monday - Friday, 8am-5pm EST

4

## Step 5: Level Header

1. Mount the front tower legs to your boat.
2. Level the tower's header from front to back, ensuring the header is not higher in the front as this could cause problems installing a bimini top.
3. Determine the angle of the rear support leg so that the header is level by adjusting the position of the rear bases.



**PRO TIP:** If you are installing the tower while the boat is on a trailer or other non-level surface, we recommend installing the header at a slight downward angle (~3°)



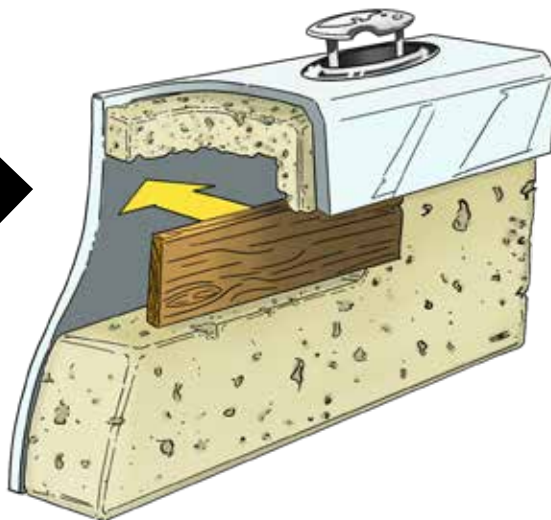
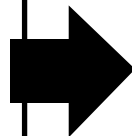
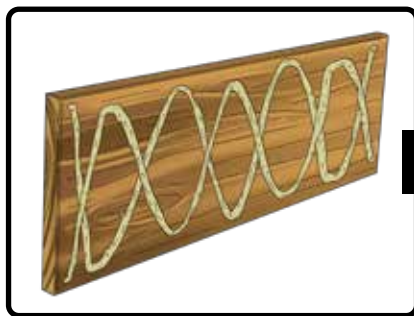
**IMPORTANT:** If the rear bases have to be mounted lower than the front and you are unable to level the header using the above steps, **optional risers are available upon request.** Contact our support team at [info@monstertower.com](mailto:info@monstertower.com) or 877.778.6937



## Step 6: Reinforce the Mounting Locations

Once your base placement is determined you will want to reinforce this area. We recommend 3/8 MARINE GRADE PLYWOOD to be glued in using 3M 5200 adhesive.

Plywood will be installed vertically as shown below for side mounted bases or horizontally beneath the gunwale for top mounted bases.



**PRO TIP:** You can cut the 3/8 Marine plywood to the size that you will need to create an effective mounting reinforcement.



Do you have questions? Call us @ 877.778.6937 Monday - Friday, 8am-5pm EST

5

## Step 7: Drill Holes and Assemble Bases to Boat

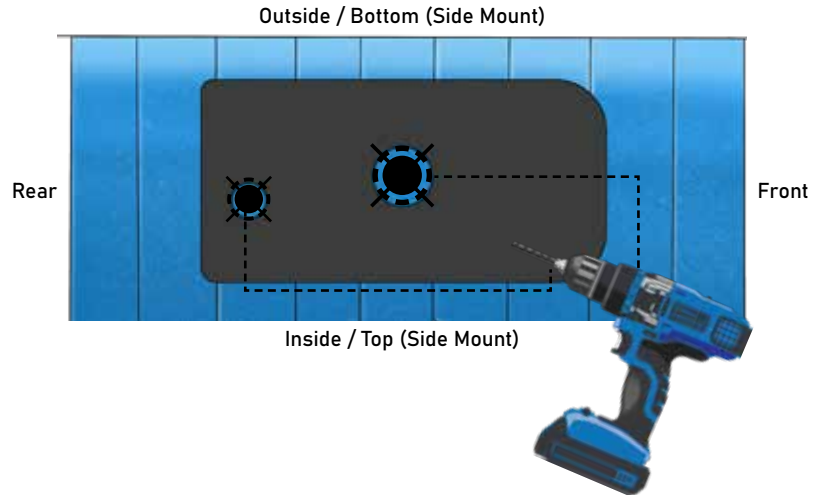
### Hardware Needed:

11/32" Drill Bit  
(Rear/Smaller Hole)

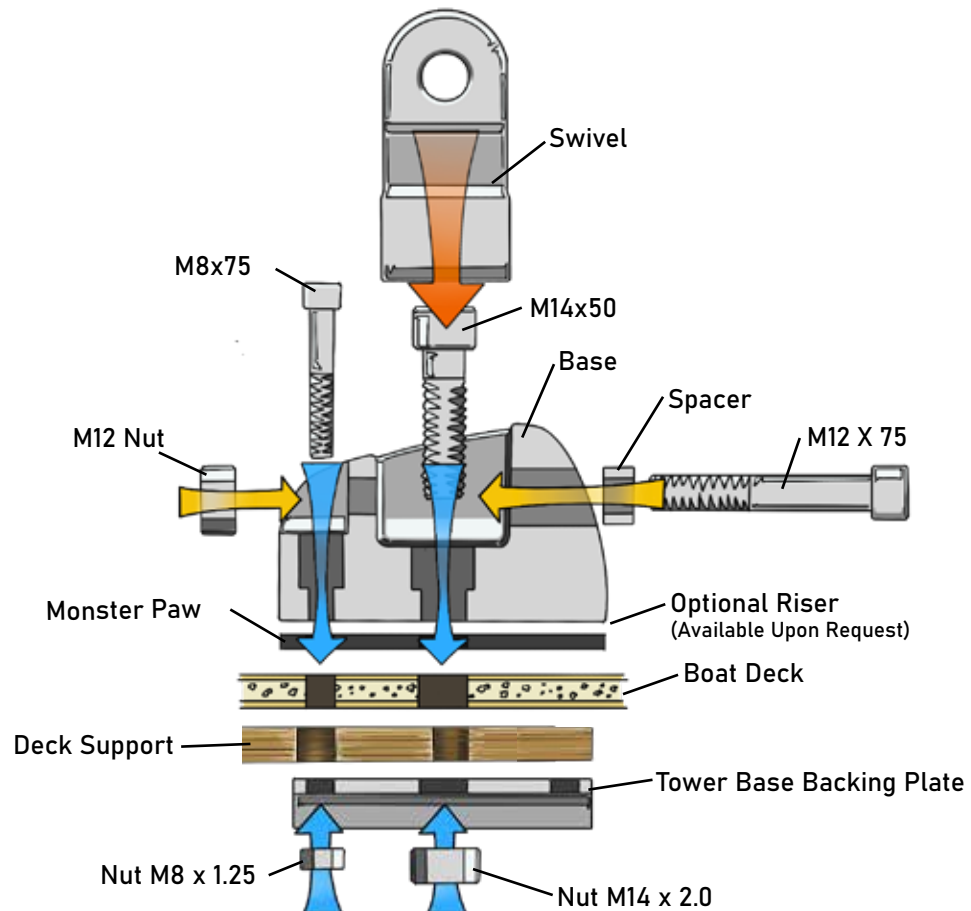
9/16" Drill Bit  
(Center/Larger Hole)

1. Using the Monster Paw as a guide, mark the position of the two mounting holes. Start drilling IN REVERSE to not crack the gel coat, then switch to forward drilling and completely drill through boat.

Chamfer holes. Repeat for each base.



2. You will need to DISASSEMBLE each base as you mount to the boat. Mount base, rubber pads, backing plate, and bolts together as shown.



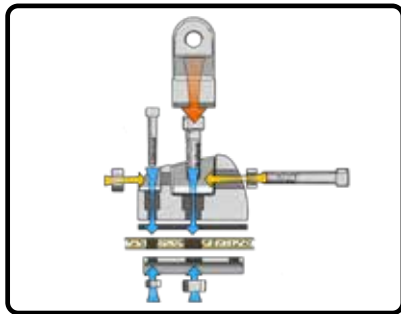
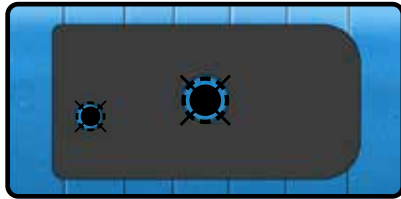
Do you have questions? Call us @ 877.778.6937 Monday - Friday, 8am-5pm EST

6

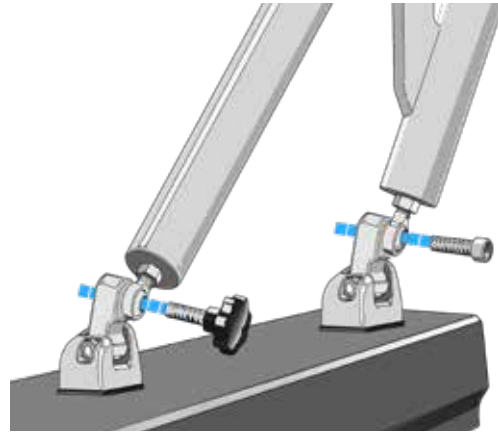


## Step 8: Mount Tower

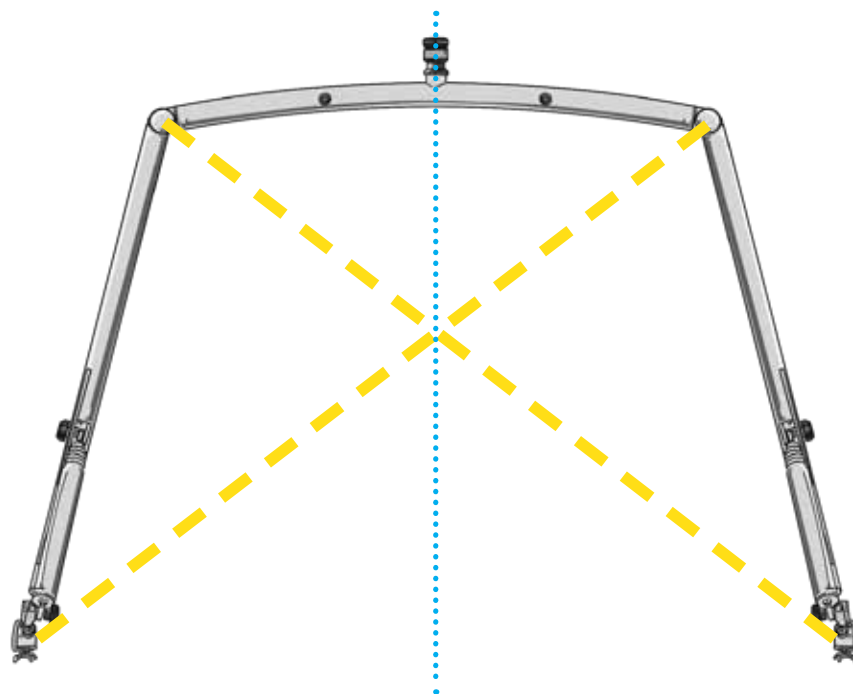
1. Repeat Step 5 for other bases using the premarked lines as a guide.



2. Use the M16x50 bolt to attach the front leg heim joints to the bases.
3. Use quick release knobs to attach the rear leg heim joints to the bases.



## Step 9: Square and Lock Tower



1. Measure corner to diagonal corner, and visually try to place the ski tow at the center of the boat. Make sure the measurements of one side match the other, this will ensure the tower is squared up.

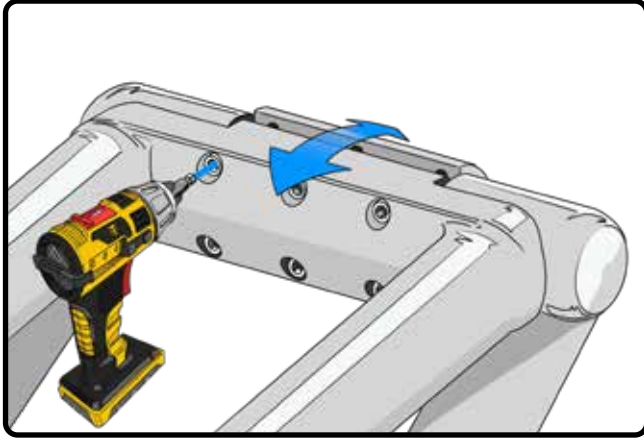


Do you have questions? Call us @ 877.778.6937 Monday - Friday, 8am-5pm EST

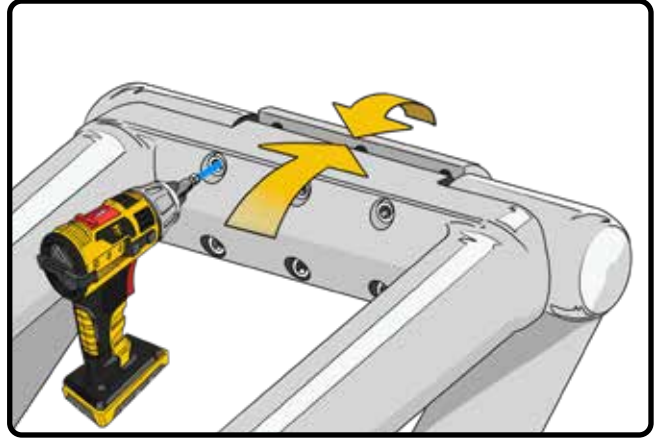
7

## Step 9: Square and Lock Tower (Continued)

2. To adjust the leg loosen the screws that hold the header and leg sections together.

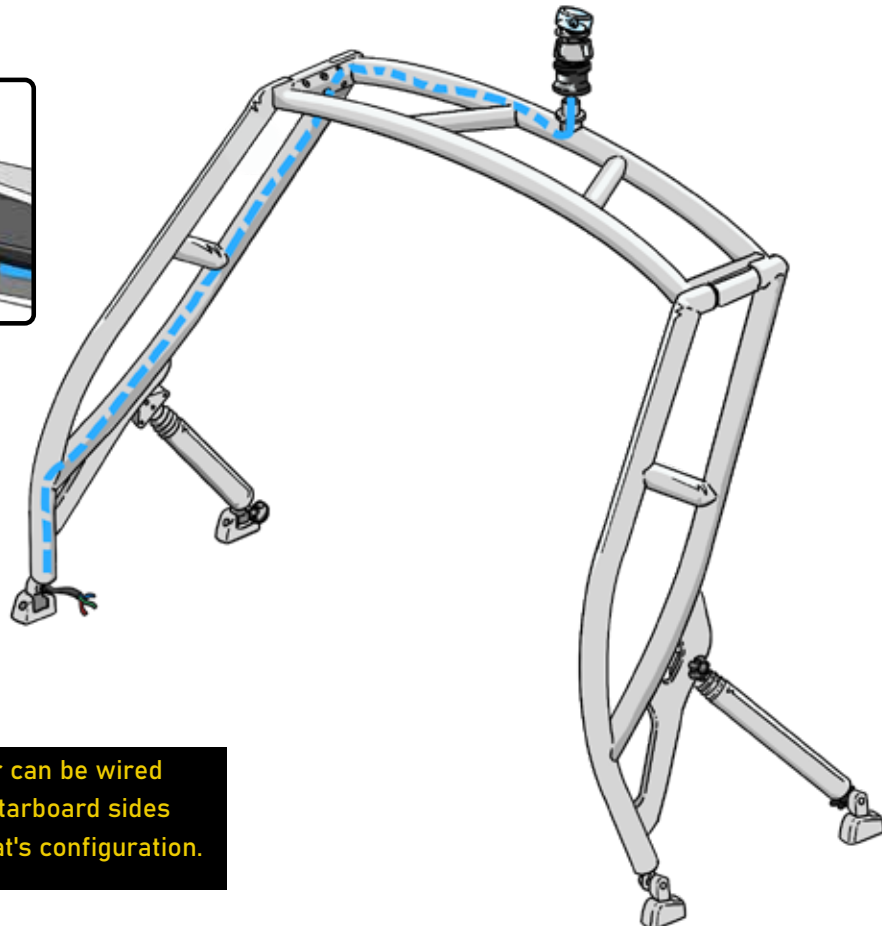
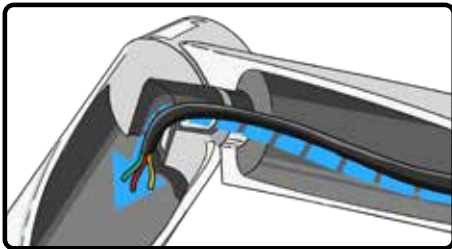


3. Once the adjustments have been made tighten the screws back down, clamping the header back to the legs.



## Step 10: Install Navigation Light

DO NOT SNAP LIGHT CAP TOGETHER YET



**PRO TIP:** The tower can be wired on either the port or starboard sides depending on your boat's configuration.

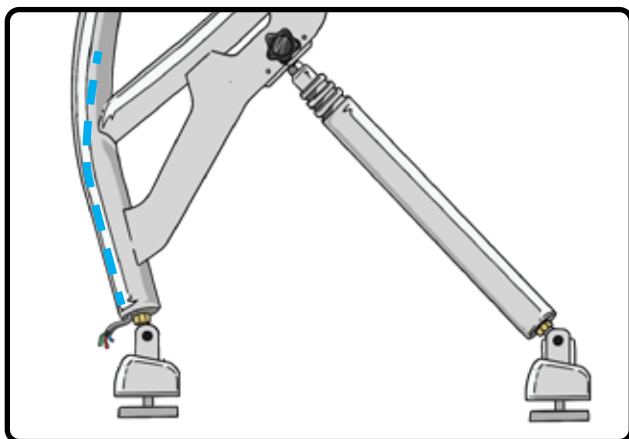
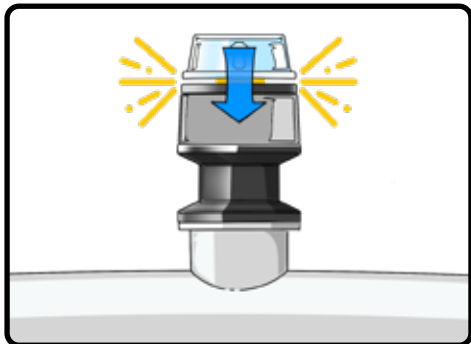


Do you have questions? Call us @ 877.778.6937 Monday - Friday, 8am-5pm EST



## Step 10: Install Navigation Light (Continued)

1. The tower legs have pre-drilled holes at the bottom to allow wire to run for the navigation light and other accessories.
2. Snap together the navigation light cap together to complete the assembly of the navigation light assembly.



— **Congratulations** —

*You have just successfully installed your new Monster MT7!*

*Send us a picture of your install out on the water to our gallery on [MonsterTower.com](https://www.monstertower.com).*

*Tag us on social media to be featured on our feed! Welcome to the team!*



Do you have questions? Call us @ 877.778.6937 Monday – Friday, 8am–5pm EST

9